

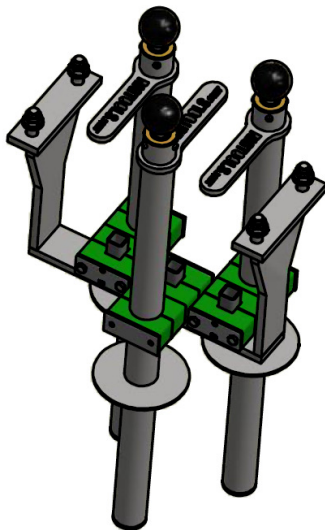
SAFE AND EFFICIENT

The high level of safety and efficiency in today's drilling operations around the world requires special attention to clean work areas and mud exposures.

To increase safety and prevent personnel being exposed to mud and chemicals as well as heavy, snapping magnets, we have introduced the Horseshoe Flowline Magnets.

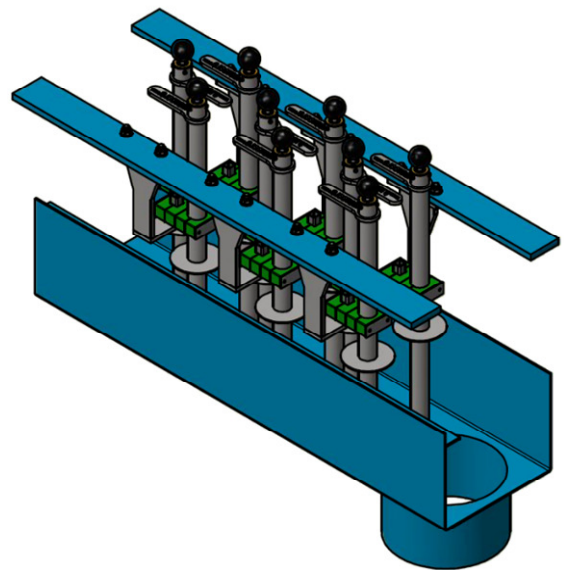
HIGHLIGHTS

- Crew will not be exposed to mud.
- Improves safety.
- Reduces risk of cut fingers and back injuries.
- No time spent on cleaning magnets.
- Releases human resources.
- Easy to install and retrieve in the Ditch or Flowline.
- Swarf will be removed from the Magnets one by one.
- Eliminates or reduces metal in Mud Pumps.



USER STATEMENTS

- "A very good and much more simple way to position magnets in flowline. Significant simplification of spoon measurements. Handling the old type was circumstantial. The new ones are much cleaner – no mess.
- "New type of flowline magnets are very simple to clean. Great functionality.
- "We all agree the new flowline magnets performs very well!"
- "Everybody agrees they are easy to use and have a very good effect."



OPERATION MODES

The Flowline Magnets system is placed in a frame which fits to the header box or flowline (or both). This provides a complete magnetic barrier across the full width and depth of the fluid path.



Uncompromising and built to the highest offshore standards.

Each Flowline Magnet is pulled one at a time rather than the whole frame having to be lifted. When the magnetic material is pulled above the stopper plate any metal will be discharged from the Flowline Magnet. The Flowline Magnets can be installed both closed and open systems.

Contact us for your specific requirements.